

## About this Manual

We've added this manual to the Agilent website in an effort to help you support your product. This manual is the best copy we could find; it may be incomplete or contain dated information. If we find a more recent copy in the future, we will add it to the Agilent website.

## Support for Your Product

Agilent no longer sells or supports this product. Our service centers may be able to perform calibration if no repair parts are needed, but no other support from Agilent is available. You will find any other available product information on the Agilent Test & Measurement website, [www.tm.agilent.com](http://www.tm.agilent.com).

## HP References in this Manual

This manual may contain references to HP or Hewlett-Packard. Please note that Hewlett-Packard's former test and measurement, semiconductor products and chemical analysis businesses are now part of Agilent Technologies. We have made no changes to this manual copy. In other documentation, to reduce potential confusion, the only change to product numbers and names has been in the company name prefix: where a product number/name was HP XXXX the current name/number is now Agilent XXXX. For example, model number HP8648A is now model number Agilent 8648A.

---

# User's Guide

---

HP Transportable Case  
08712-60059

HP part number: 08712-90095  
Printed in USA    October 1998    Supersedes April 1997

**Notice**

The information contained in this document is subject to change without notice.

Hewlett-Packard makes no warranty of any kind with regard to this material, including but not limited to, the implied warranties of merchantability and fitness for a particular purpose. Hewlett-Packard shall not be liable for errors contained herein or for incidental or consequential damages in connection with the furnishing, performance, or use of this material.

© Copyright Hewlett-Packard Company 1997, 1998  
All Rights Reserved. Reproduction, adaptation, or translation without prior written permission is prohibited, except as allowed under the copyright laws.  
1400 Fountaingrove Parkway, Santa Rosa CA, 95403-1799, USA

---

# Transportable Case

Your transportable case is designed to be used with any of the following network analyzers:

HP 87118	HP 8711C	HP 8712ET
HP 8712B	HP 8712C	HP 8712ES
HP 8713B	HP 8713C	HP 8714ET
HP 8714B	HP 8714C	HP 8714ES

It allows the easy transportation of your analyzer to remote sites, and allows operation of the analyzer from within the case.

This case is ideal for customers who make cable fault location/SRL or cell-site antenna measurements in the field. It makes it easy to safely transport and protect the analyzer. With vents on the sides for cooling and a hole in the rear for a power cord, the analyzer conveniently operates inside of the case.

The rugged plastic case has large rear wheels to help roll the analyzer over rough terrain, a fold-up handle, and two handles on each side to aid in lifting. A convenient compartment in the top cover holds cables, calibration standards, and power cords needed for measurements. A zippered pouch on the underside holds documentation or other necessary paperwork or accessories.

---

# Contents

1. Transportable Case	
Transportable Case Description and Features . . . . .	3
Transportable Case Description . . . . .	3
Transportable Case Features . . . . .	4
Latches and Handle Locks . . . . .	5
Installing the Analyzer in the Case . . . . .	6
Attach the Rack Mount Flanges to the Analyzer . . . . .	6
Remove the Analyzer's Feet . . . . .	6
Place the Analyzer in the Case . . . . .	7
Connecting the Power Cord and Cables . . . . .	8
Removing the Analyzer from the Case . . . . .	9
Service . . . . .	11



Transportable Case

---

# Transportable Case

This booklet includes the following sections:

Transportable Case Description and Features

Installing the Analyzer in the Case

Connecting the Power Cord and Cables

Removing the Analyzer from the Case

Service

---

# Transportable Case Description and Features

The transportable case comes with the following items:

Parts List

Description	HP Part Number
Transportable Case	08712-60059
Rack Mount Kit <sup>1</sup>	5063-9235
long Screws <sup>1</sup>	0515-0686
User's Guide	08712-90095

**1 If** you received your case as part of Option 101, these items were used at the factory to install the analyzer in the case.

---

## Transportable Case Description

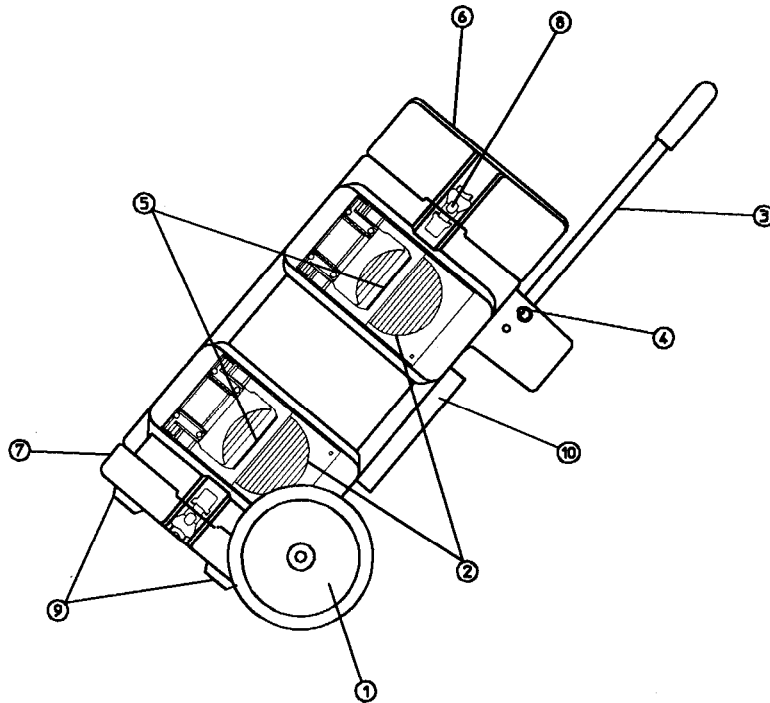
Your transportable case weighs about 37 pounds (17kg) when empty. With an analyzer installed, and with a few accessories, the total weight is about 86 pounds (39kg).

The approximate dimensions are 22.32 in W x 15.67 in H x 27.04 in L.



---

## Transportable Case Features



nd61c

### Transportable Case Features

1. Soft tread wheels
2. Ventilation grills
3. Swing-out handle
4. Handle locks
5. Side handles for lifting
6. Front cover with compartment
7. Rear cover with opening for cables
8. Cover latch
9. Stabilizing pads (for upright storage)
10. Zippered document/accessory pouch

---

## Latches and Handle Locks

**Cover latches**      To release any of the 12 cover latches (6 each on the front and rear covers):

- Lift the latch tab until it locks into place.
- Turn the tab counter-clockwise until the latch releases.

**Handle locks**      To place the two handle locks in the unlocked position:

1. Pull the ring out.
2. Twist the ring 1/4 turn and release.

You can now swing the handle out to use it to transport the case, or swing the handle down into the storage position on the underside of the case.

To put the handle locks back in the locked position, repeat steps 1 and 2 above.

---

**WARNING**

---

When putting the handle locks back in the locked position, be sure to release the ring slowly. Otherwise it can snap into the locked position and possibly cause injury if your finger is in the ring.

---

# Installing the Analyzer in the Case

If you received your case as part of Option 101, you received your analyzer already installed in the case. Refer to these instructions only if you ordered your case separately and now need to install your analyzer.

**Tools** required for installation:

- #15 TORX driver
- Phillips screw driver
- Small flat blade screw driver

---

## Attach the Rack Mount Flanges to the Analyzer

1. Remove the side trim strips on the analyzer using a small flat blade screw driver.
2. Remove the screws used to attach the handles, 4 on each side.
3. With the 2 large holes facing upward, place the rack mount flange over the handle, flat side towards the analyzer. Attach the rack mount flange and handle to the analyzer with the longer screws (HP part number 0515-0686) provided.

---

## Remove the Analyzer's Feet

It is necessary to remove analyzer's bottom feet before installing it in the case. To remove, grasp the foot in the center with thumb and **forefinger**. Apply slight pressure, so that the center lock is lifted, and slide the foot towards the center of the analyzer.

---

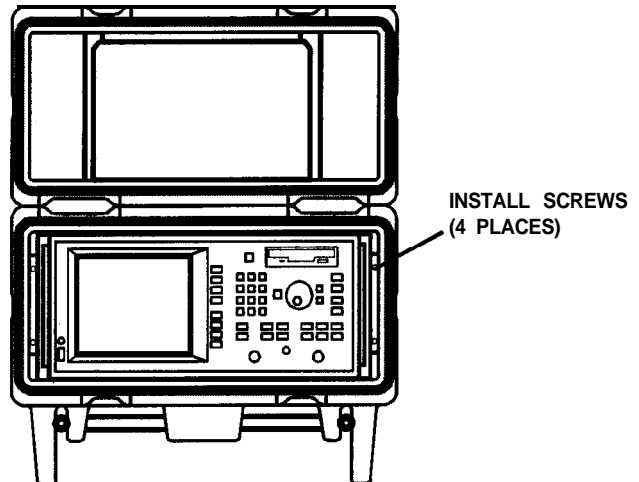
## Place the Analyzer in the Case

1. Place the transportable case in an upright position.
2. If necessary, unlock the swing-out handle and position it against the bottom of the case.
3. Lift the analyzer by the handles and slide it into the case keeping the analyzer as level as possible.

### NOTE

To facilitate installation, once the analyzer is in the case, place the case in the level position and remove the rear cover. This allows you to guide the bottom of the analyzer into position.

4. Once the analyzer is properly seated, attach the analyzer to the case using the screws that are stored in the case front cover compartment. See the following illustration.



nd022c

Installing the Analyzer

---

## Connecting the Power Cord and Cables

To connect the power cord and other cables to the analyzer:

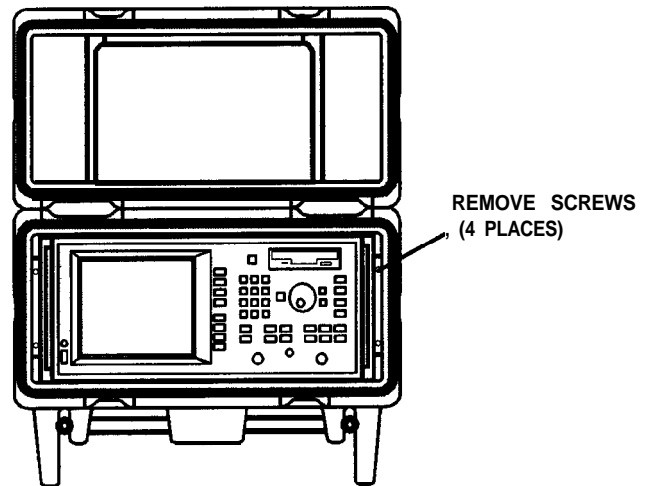
1. Remove the rear cover.
2. Remove the insert from the opening on the rear cover.
3. Connect the desired power cord and cables to the analyzer.
4. Route the power cord and cables through the opening in the rear cover.
5. Reattach the rear cover.

---

# Removing the Analyzer from the Case

To remove the analyzer from the transportable case:

1. Remove the rear cover and disconnect and remove the power cord and any other cables from the analyzer's rear panel.
2. Reattach the rear cover.
3. Position the case into the upright position.
4. Remove the front cover.
5. Remove the four screws that secure the analyzer to the case.



nd85c

Removing the Flange Screws

6. Grasp the analyzer's handles, and lift it up and out of the case.

**Removing the Analyzer from the Case**

**NOTE**

The following step is optional and may be performed if you wish to use the analyzer out of the case for a prolonged period of time.

7. Connect the four feet to the bottom of the analyzer.

---

## Service

If you need to replace any parts on your transportable case, or if you have any questions or need other assistance, contact the nearest Hewlett-Packard sales or service office.



## Hewlett-Packard Sales and Service Offices

UNITED STATES			
<b>Instrument Support Center</b> Hewlett-Packard Company (800) 403-0801			
EUROPEAN FIELD OPERATIONS			
<b>Headquarters</b> Hewlett-Packard S.A. 150, Route du <b>Nant-d'Avril</b> 1217 Meyrin <b>2/Geneva</b> Switzerland (41 221 780.8111	<b>France</b> Hewlett-Packard France 1 Avenue <b>Du Canada</b> Zone <b>D'Activite</b> De Courtaboeuf <b>F-91947 Les Ulis C e d e x</b> France (33 1) 8 9 82 60 60	<b>Germany</b> Hewlett-Packard <b>GmbH</b> Hewlett-Packard Stresse 81352 Bed Homburg <b>v.d.H</b> Germany (49 81721 16-0	<b>Great Britain</b> Hewlett-Packard Ltd. <b>Eskdale</b> Road, Winnersh Triangle Wokingham, Berkshire <b>RG41 5DZ</b> England (44 7341 898822
INTERCON FIELD OPERATIONS			
<b>Headquarters</b> Hewlett-Packard Company 3495 Deer Creek Road <b>Palo Alto</b> , California, USA 943041318 (415) 857-5027	<b>Australia</b> Hewlett-Packard Australia Ltd. 31-41 Joseph Street Blackburn, Victoria 3130 (61 3) 8952895	<b>Canada</b> Hewlett-Packard <b>(Canada)</b> Ltd. 17500 South Service Road Trans- Canada Highway Kirkland, <b>Quebec H9J 2X8</b> Canada (514) 897-4232	<b>China</b> China Hewlett-Packard Company 38 <b>Bei</b> San Huan XI Road Shuang Vu Shu <b>Hai Dian</b> District Beijing, China (86 1) 258-8888
<b>Japan</b> Hewlett-Packard Japan, Ltd. 9-1 Takekura-Cho, Hachioji Tokyo 192, Japan 181 <b>426) 60-2111</b>	<b>Singapore</b> Hewlett-Packard Singapore <b>(Pte.)</b> Ltd. 150 Beech Road <b>#29-00</b> Gateway West Singapore 0718 (65) 291-9088	<b>Taiwan</b> Hewlett-Packard Taiwan <b>8th</b> Floor, H-P Building 337 <b>Fu</b> Hsing North Road Taipei, Taiwan (886 2) 712-0404	